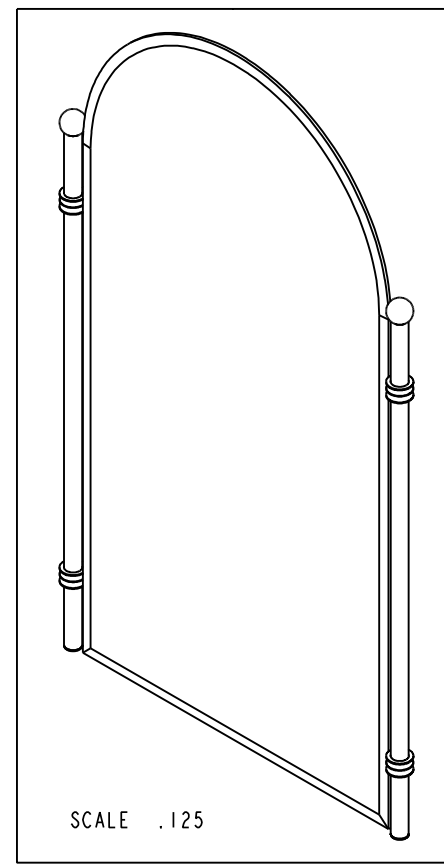


- △ 1 LOCATION FOR VHB TAPE
- △ 2 APPLY PLAMER MIRROR MASTIC
- △ 3 APPLY LOCTITE 680.

BILL OF MATERIAL (CURRENT LEVEL)				
ITEM	PT/ASSY	DESCRIPTION	TYPE	QTY.
1	MTM-002	MOUNTING KIT	ASSEMBLY	1
2	F1141-CB	MIRROR TIE ROD ASSEMBLY	ASSEMBLY	1
3	MTM-003	MIRROR VERTICAL CHANNEL	PART	2
4	F114X-SC	SIDE ARM ASSEMBLY	ASSEMBLY	1
5	C1141	MIRROR GLASS	PART	1
6	91477	ADHESIVE BACKED BUMPER	PART	2
7	91462	VHB TAPE 1" X 1 1/2" LONG	PART	4
8	92398	SCRW, M5 X .8 X 8 PHIL PAN HD Zn PLATED (MMC# 92005A318)	PART	4



COPYRIGHT 2005 BRASSTECH, INC. THESE DRAWINGS AND THE DESIGNS DEPICTED HEREIN ARE THE PROPRIETARY PROPERTY OF BRASSTECH. ANY USE OR REPRODUCTION IS SUBJECT TO THE EXPRESS APPROVAL OF BRASSTECH. UNAUTHORIZED USE IS STRICTLY PROHIBITED. ALL RIGHTS RESERVED.

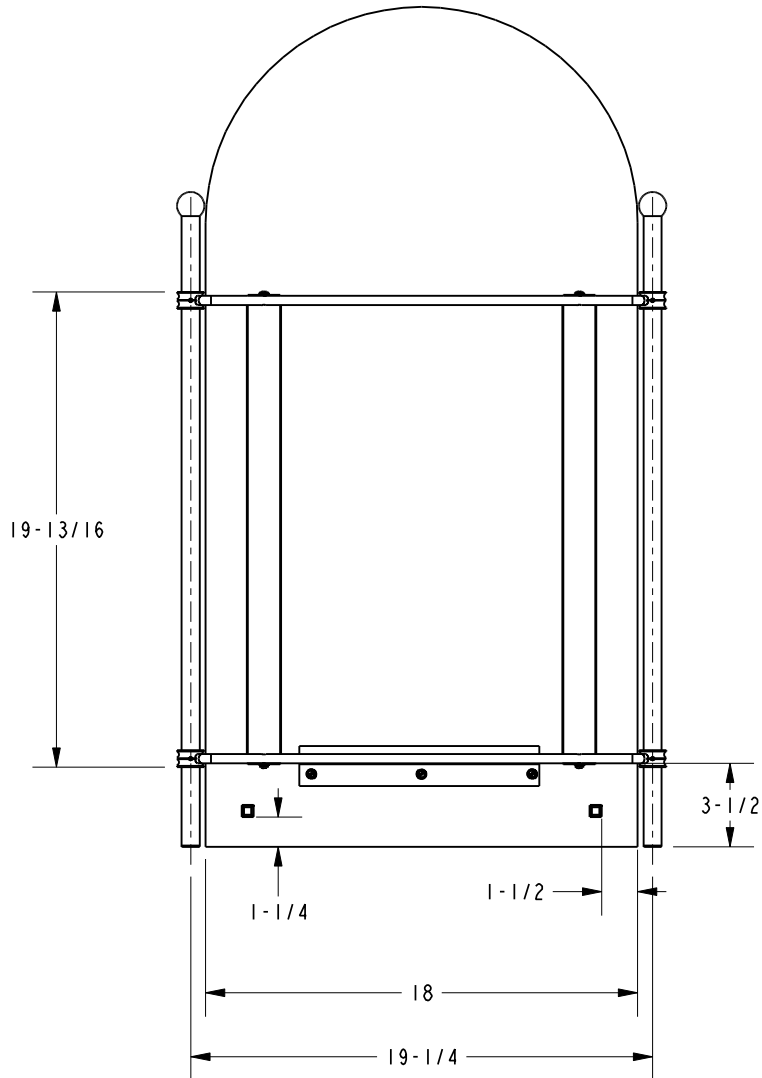
BRASSTECH
INCORPORATED

2001 E. CARNEGIE AVE.
SANTA ANA, CA 92705
(949) 417-5207

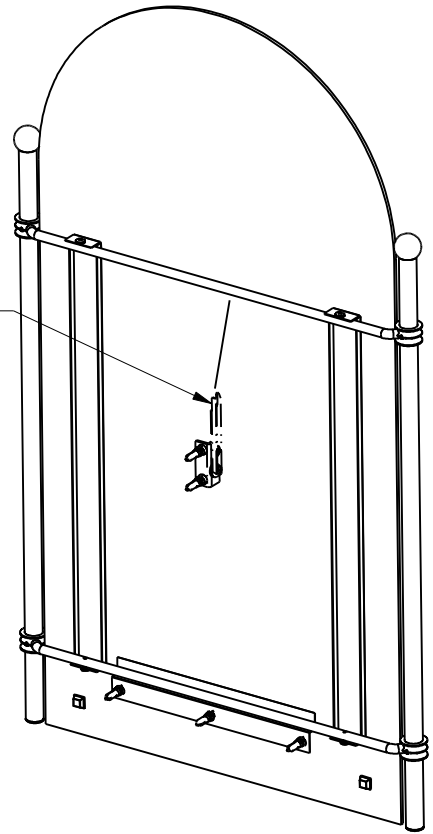
CHELSEA SMALL BEVELED FRAMED MIRROR

ASSY. NO.	1141	
SCALE .075	REF.	SHEET 1 OF 3
REV	REV DESC	DATE
C	EN-2270	09/03/12
B	EN-2148	04/30/12
A	EN-1457	02/02/10

SPECIFICATION DWG



MTM-009 SOLD SEPARATELY

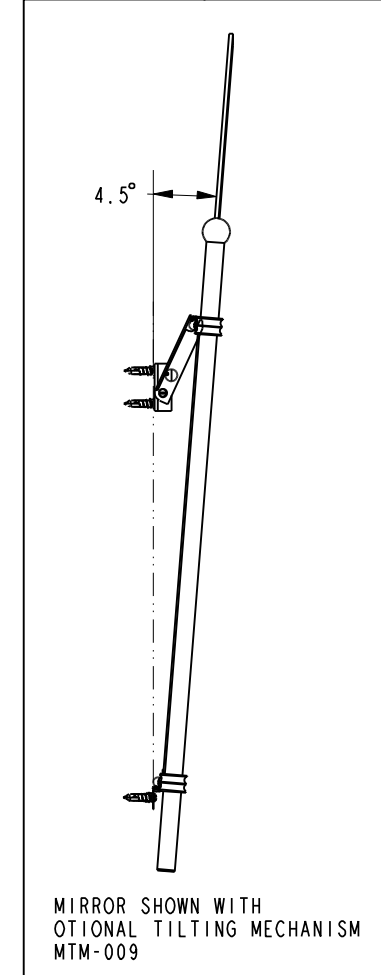
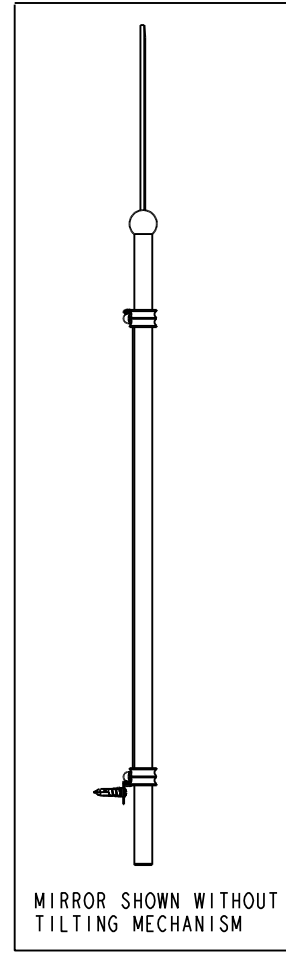
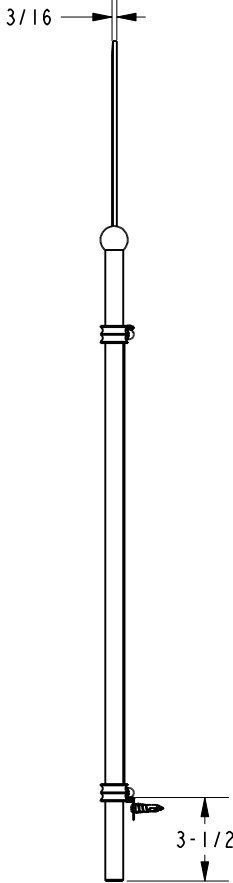
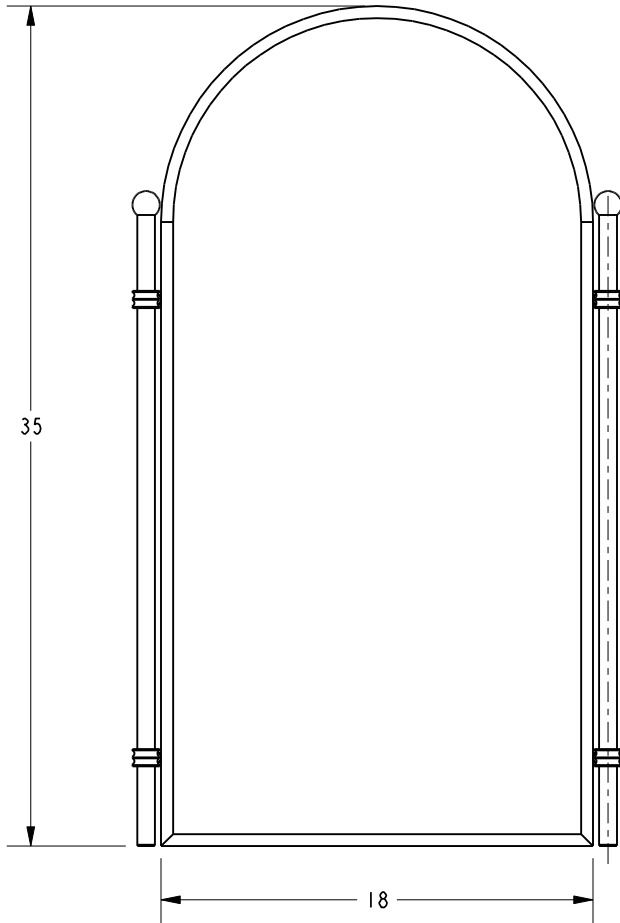
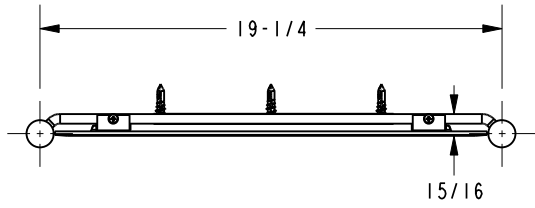


DIMENSIONS ARE IN INCHES AND AN APPROXIMATION OF A TYPICAL INSTALLATION

COPYRIGHT 2005 BRASSTECH, INC. THESE DRAWINGS AND THE DESIGNS DEPICTED HEREIN ARE THE PROPRIETARY PROPERTY OF BRASSTECH. ANY USE OR REPRODUCTION IS SUBJECT TO THE EXPRESS APPROVAL OF BRASSTECH. UNAUTHORIZED USE IS STRICTLY PROHIBITED. ALL RIGHTS RESERVED.

BRASSTECH		2001 CARNEGIE AVE. SANTA ANA, CA 92705 (949) 417-5207	
DWG NO.	1141	REV	C
SCALE	.125	REF.	SHEET 2 OF 3

SPECIFICATION DWG



DIMENSIONS ARE IN INCHES AND AN APPROXIMATION OF A TYPICAL INSTALLATION

COPYRIGHT 2005 BRASSTECH, INC. THESE DRAWINGS AND THE DESIGNS DEPICTED HEREIN ARE THE PROPRIETARY PROPERTY OF BRASSTECH. ANY USE OR REPRODUCTION IS SUBJECT TO THE EXPRESS APPROVAL OF BRASSTECH. UNAUTHORIZED USE IS STRICTLY PROHIBITED. ALL RIGHTS RESERVED.

BRASSTECH		2001 CARNEGIE AVE. SANTA ANA, CA 92705 (949) 417-5207	
INCORPORATED			
DWG NO.	1141	REV	C
SCALE	.125	REF.	SHEET 3 OF 3